

Abeyance A440 & Extended Height E528

Simple, Secure -190°C LN2 Vapor Storage

Designed For *Samples By Users*



Capacity

- 10-30% More Samples
- Highest Storage Density
- Lowest LN2 Usage Per Sample



Ergonomics

- Cryo LED & Auto Fog Clear
- Full Sample Visibility
- Low Lifterover Height | Workspace

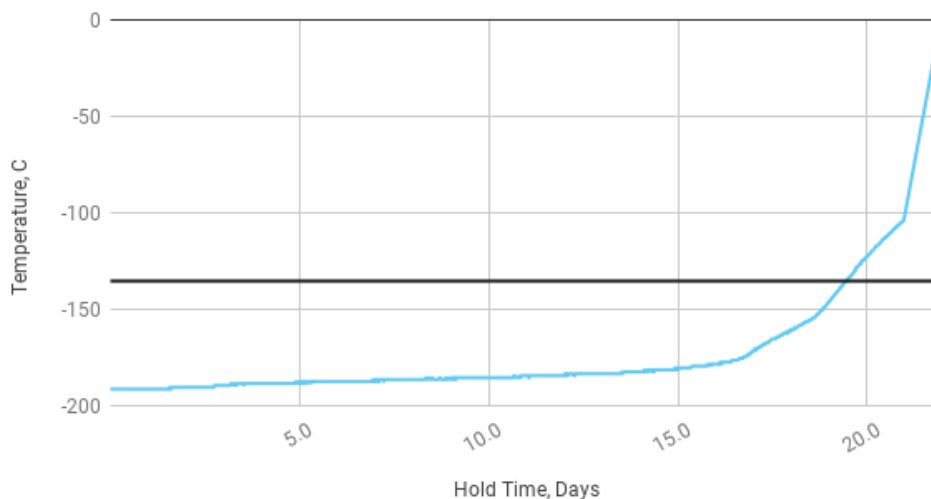


Connected

- Touchscreen with WiFi / LAN
- Text & Email Alerts | Cloud Backup
- Redundant Remote Monitoring



A440 Temperature Test



- Top Box Temperature
- -135°C (Tg)

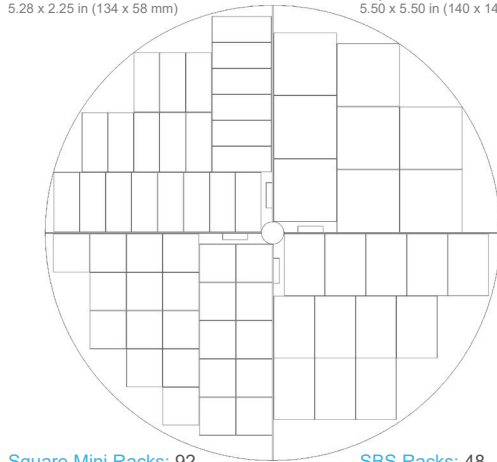
Storage Temperature: -190°C
Hold Time < Tg: > 15 Days

Temperature test performed with 2 ml vial inventory and default vapor storage settings

Vial Inventory:

2 ml Slim Racks: 88
5.28 x 2.25 in (134 x 58 mm)

Square Racks: 32
5.50 x 5.50 in (140 x 140 mm)



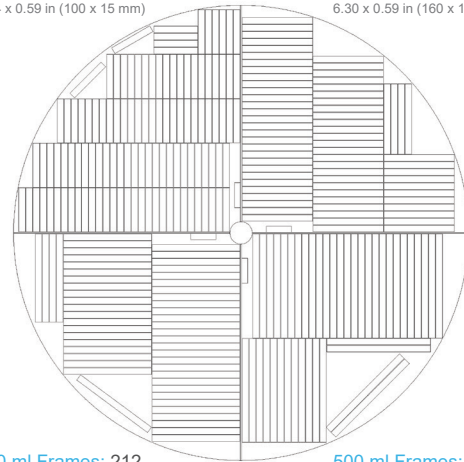
Square Mini Racks: 92
3.18 x 3.34 in (81 x 85 mm)

SBS Racks: 48
5.50 x 3.63 in (140 x 92 mm)

Blood Bag Inventory:

25 ml Frames: 463
3.94 x 0.59 in (100 x 15 mm)

50 ml Frames: 276
6.30 x 0.59 in (160 x 15 mm)



250 ml Frames: 212
7.88 x 0.59 in (200 x 15 mm)

500 ml Frames: 172
9.30 x 0.59 in (236 x 15 mm)

A440

E528

2 ml Vial Capacity

(Vials | Boxes | Racks)

Slim Vertical Racks	44,000 440 88	52,800 528 88
Boxes / Rack	5	6
Square Racks	41,600 416 32	48,000 480 32
Boxes / Rack	13	15

Blood Bag Capacity

(Bags | Frames | Bags / Frame)

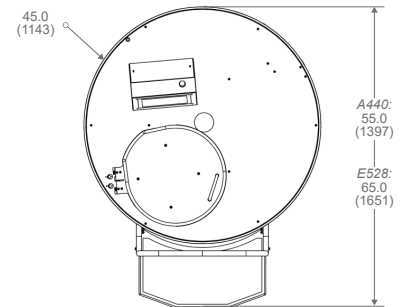
25 ml Cassettes	3,241 463 7	3,704 463 8
50 ml Cassettes	1,932 276 7	2,208 276 8
250 ml Cassettes	848 212 4	1,060 212 5
500 ml Cassettes	688 172 4	860 172 5

Outer Diameter - in (mm)	45.0 (1143)	45.0 (1143)
Overall Height - in (mm)	59.0 (1499)	63.0 (1600)
Usable Height - in (mm)	30.0 (762)	34.0 (864)
Step Height - in (mm)	10.5 (267)	10.0 (254) x 2
Liftover Height - in (mm)	39.5 (1003)	34.0 (864)
Neck Opening - in (mm)	18.2 (462)	18.2 (462)
Empty Weight - lbs (kg)	900 (408)	975 (442)
Working Weight* - lbs (kg)	1,760 (798)	1,960 (889)

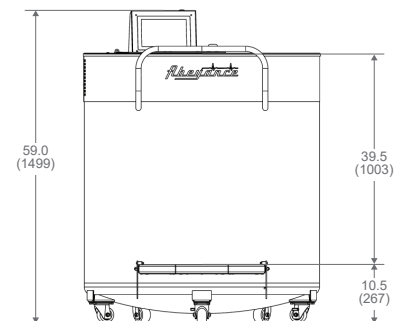
LN2 Capacity (Vapor Storage)	150 L
Hold Time < Tg	> 15 Days

Warranty	3 Years Parts & Craftsmanship 7 Years Vacuum
Safety Regulatory	UL / CSA STD 61010-1 LVD (2014/35/EU)

* 2 ml vial inventory and default vapor storage settings



A440



E528

