

Abeyance A1000 & Extended Height E1200

Simple, Secure -190°C LN2 Vapor Storage

Designed For *Samples By Users*



Capacity

10-30% More Samples
Highest Storage Density
Lowest LN2 Usage Per Sample



Ergonomics

Cryo LED & Auto Fog Clear
Full Sample Visibility
Low Liftover Height | Workspace

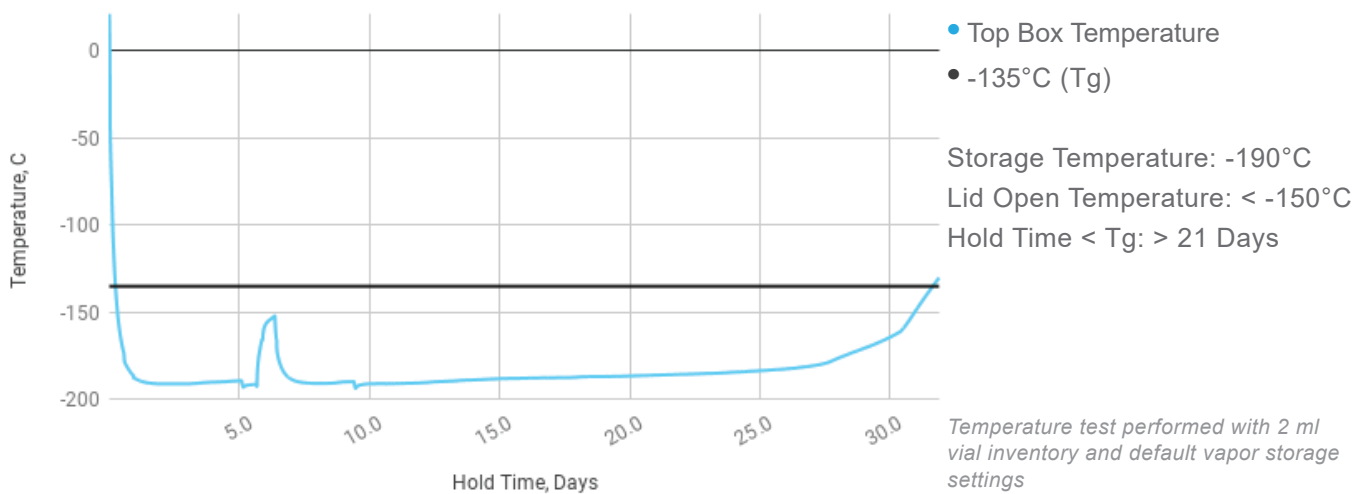


Connected

Touchscreen with WiFi / LAN
Text & Email Alerts | Cloud Backup
Redundant Remote Monitoring



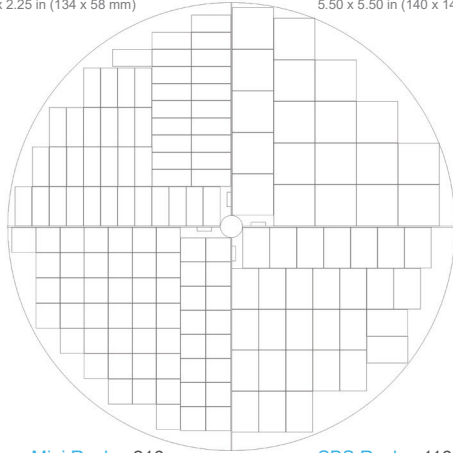
A1000 Temperature Test



Vial Inventory:

2 ml Slim Racks: 212
5.28 x 2.25 in (134 x 58 mm)

Square Racks: 76
5.50 x 5.50 in (140 x 140 mm)



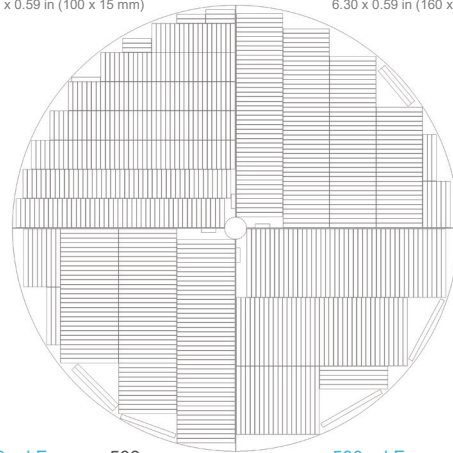
Square Mini Racks: 216
3.18 x 3.34 in (81 x 85 mm)

SBS Racks: 116
5.50 x 3.63 in (140 x 92 mm)

Blood Bag Inventory:

25 ml Frames: 1,064
3.94 x 0.59 in (100 x 15 mm)

50 ml Frames: 644
6.30 x 0.59 in (160 x 15 mm)



250 ml Frames: 508
7.88 x 0.59 in (200 x 15 mm)

500 ml Frames: 420
9.30 x 0.59 in (236 x 15 mm)

A1000

E1200

2 ml Vial Capacity

(Vials | Boxes | Racks)

Slim Vertical Racks	106,000 1,060 212	127,200 1,272 212
Boxes / Rack	5	6
Square Racks	98,800 988 76	114,000 1,140 76
Boxes / Rack	13	15

Blood Bag Capacity

(Bags | Frames | Bags / Frame)

25 ml Cassettes	7,448 1,064 7	8,512 1,064 8
50 ml Cassettes	4,508 644 7	5,152 644 8
250 ml Cassettes	2,032 508 4	2,540 508 5
500 ml Cassettes	1,680 420 4	2,100 420 5

Outer Diameter - in (mm)	65.0 (1651)	65.0 (1651)
Overall Height - in (mm)	64.0 (1626)	68.0 (1727)
Usable Height - in (mm)	30.0 (762)	34.0 (864)
Step Height - in (mm)	10.5 (267) x 2	11.0 (279) x 2
Liftover Height - in (mm)	34.0 (864)	37.0 (940)
Neck Opening - in (mm)	28.2 (716)	28.2 (716)
Empty Weight - lbs (kg)	1,900 (862)	2,010 (912)
Working Weight* - lbs (kg)	2,600 (1179)	2,900 (1315)

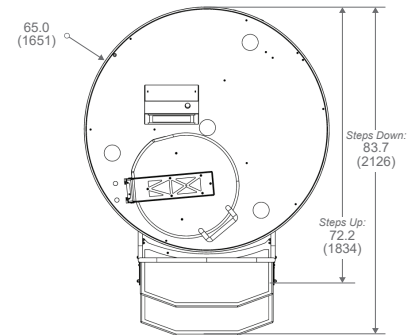
LN2 Capacity (Vapor Storage) 390 L

Hold Time < Tg > 21 Days

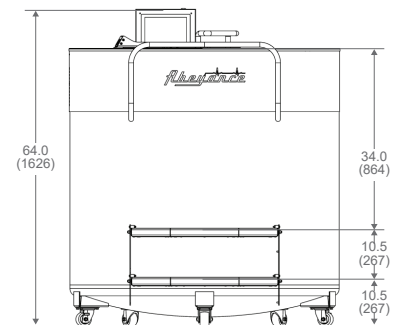
Warranty 3 Years Parts & Craftsmanship | 7 Years Vacuum

Safety | Regulatory UL / CSA STD 61010-1 | LVD (2014/35/EU)

* 2 ml vial inventory and default vapor storage settings



A1000



E1200

