

Abeyance A700 & Extended Height E840

Simple, Secure -190°C LN2 Vapor Storage

Designed For *Samples By Users*



Capacity

10-30% More Samples
Highest Storage Density
Lowest LN2 Usage Per Sample



Ergonomics

Cryo LED & Auto Fog Clear
Full Sample Visibility
Low Lifter Height | Workspace

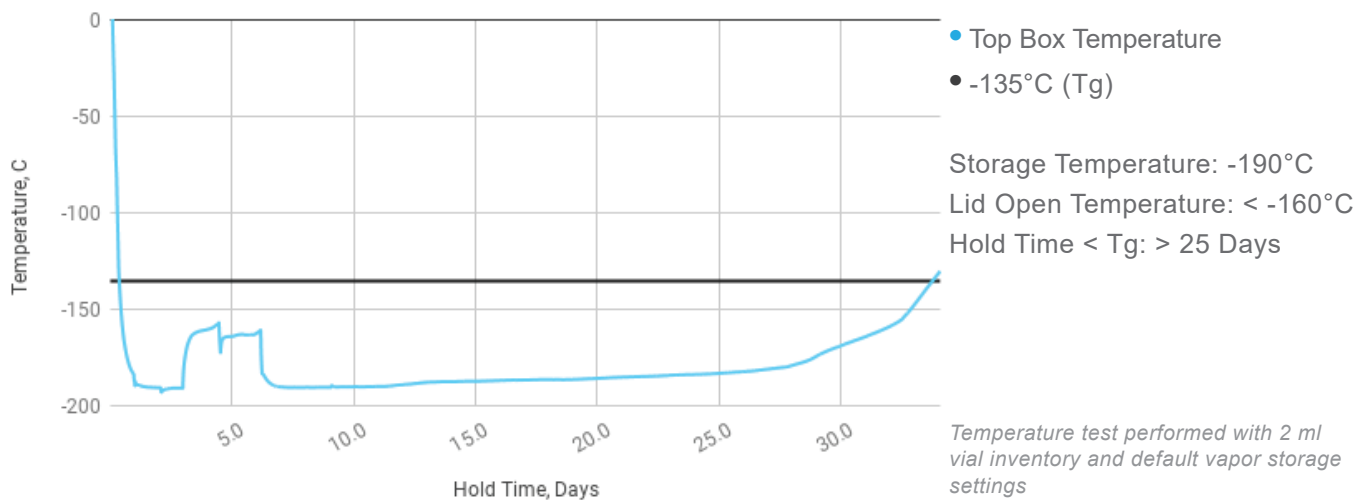


Connected

Touchscreen with WiFi / LAN
Text & Email Alerts | Cloud Backup
Redundant Remote Monitoring



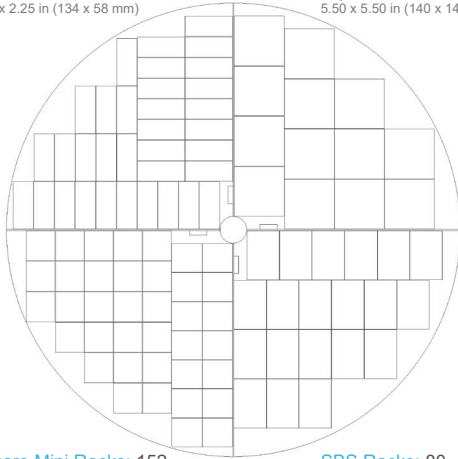
A700 Temperature Test



Vial Inventory:

2 ml Slim Racks: 140
5.28 x 2.25 in (134 x 58 mm)

Square Racks: 52
5.50 x 5.50 in (140 x 140 mm)



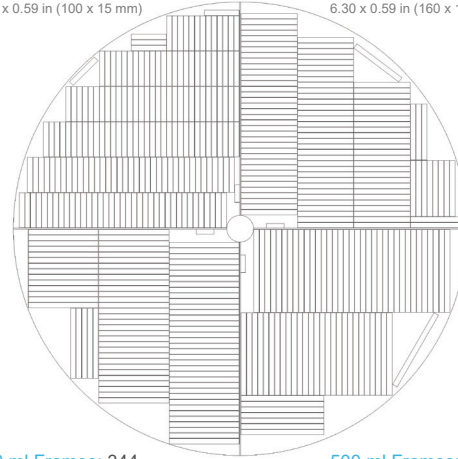
Square Mini Racks: 152
3.18 x 3.34 in (81 x 85 mm)

SBS Racks: 80
5.50 x 3.63 in (140 x 92 mm)

Blood Bag Inventory:

25 ml Frames: 732
3.94 x 0.59 in (100 x 15 mm)

50 ml Frames: 440
6.30 x 0.59 in (160 x 15 mm)



250 ml Frames: 344
7.88 x 0.59 in (200 x 15 mm)

500 ml Frames: 280
9.30 x 0.59 in (236 x 15 mm)

A700

E840

2 ml Vial Capacity

(Vials | Boxes | Racks)

Slim Vertical Racks	70,000 700 140	84,000 840 140
Boxes / Rack	5	6
Square Racks	67,600 676 52	78,000 780 52
Boxes / Rack	13	15

Blood Bag Capacity

(Bags | Frames | Bags / Frame)

25 ml Cassettes	5,124 732 7	5,856 732 8
50 ml Cassettes	3,080 440 7	3,520 440 8
250 ml Cassettes	1,376 344 4	1,720 344 5
500 ml Cassettes	1,120 280 4	1,400 280 5

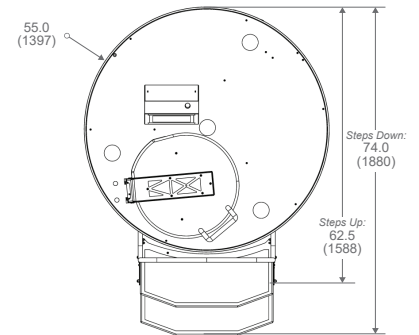
Outer Diameter - in (mm)	55.0 (1397)	55.0 (1397)
Overall Height - in (mm)	63.0 (1600)	67.0 (1702)
Usable Height - in (mm)	30.0 (762)	34.0 (864)
Step Height - in (mm)	10.0 (254) x 2	10.5 (267) x 2
Liftover Height - in (mm)	34.0 (864)	37.0 (940)
Neck Opening - in (mm)	23.2 (589)	23.2 (589)
Empty Weight - lbs (kg)	1,560 (708)	1,650 (748)
Working Weight* - lbs (kg)	2,000 (907)	2,225 (1009)

LN2 Capacity (Vapor Storage)	250 L
Hold Time < Tg	> 25 Days

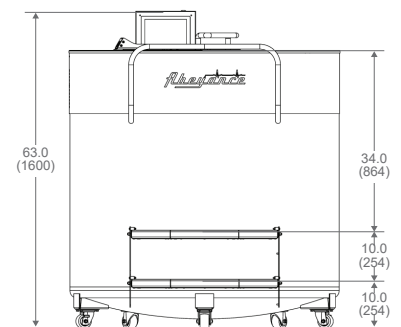
Warranty 3 Years Parts & Craftsmanship | 7 Years Vacuum

Safety | Regulatory UL / CSA STD 61010-1 | LVD (2014/35/EU)

* 2 ml vial inventory and default vapor storage settings



A700



E840

